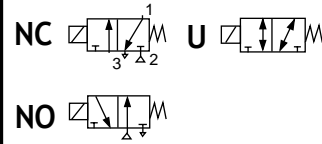




Direct Acting  
**General Service Solenoid Valves**  
 Brass or Stainless Steel Bodies  
 1/8" to 1/4" NPT



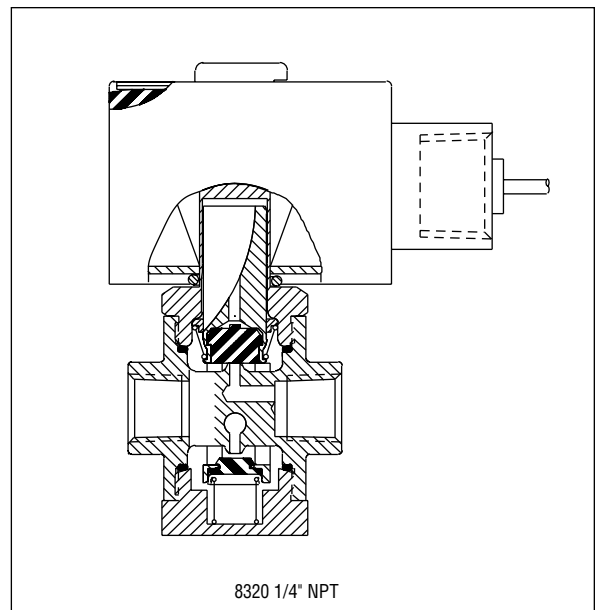
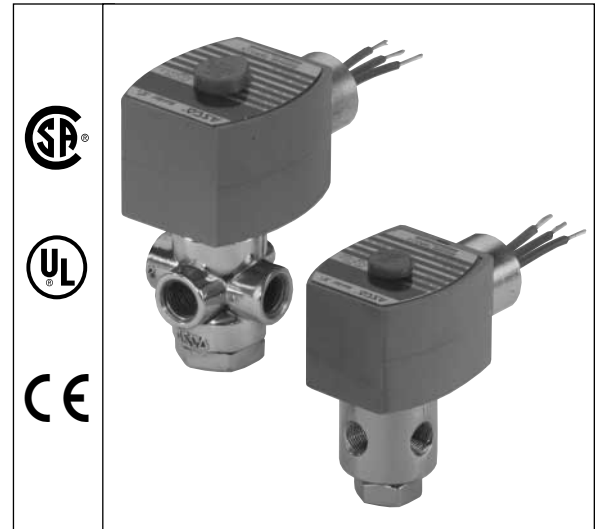
**3/2**  
 SERIES  
**8320**

**Features**

- All NPT connections are in the valve body to allow in-line piping.
- No Minimum Operating Pressure Differential required.
- Sturdy design for long years of reliable service.
- Broadest range of applications.
- Mountable in any position.

**Construction**

Valve Parts in Contact with Fluids		
<b>Body</b>	Brass	303 Stainless Steel
<b>Seals and Discs</b>	NBR or Cast UR, as Listed	
<b>Core Tube</b>	305 Stainless Steel	
<b>Core and Plugnut</b>	430F Stainless Steel	
<b>Core Springs</b>	302 Stainless Steel	
<b>Shading Coil</b>	Copper	Silver
<b>Disc-Holder</b>	CA	
<b>Core Guide</b>	CA (10.1 and 17.1 Watt only)	



**Electrical**

Standard Coil and Class of Insulation	Watt Rating and Power Consumption				Spare Coil Part No.			
	DC Watts	AC			General Purpose		Explosionproof	
		Watts	VA Holding	VA Inrush	AC	DC	AC	DC
F	10.6	6.1	16	30	238210	238310	238214	238314
F	-	9.1	25	40	238210	-	238214	-
F	11.6	10.1	25	50	238610	238710	238614	238714
F	-	17.1	40	70	238610	-	238614	-

**Standard Voltages:** 24, 120, 240, 480 volts AC, 60 Hz (or 110, 220, volts AC, 50 Hz). 6, 12, 24, 120, 240 volts DC. Must be specified when ordering. Other voltages are available when required.

**Nominal Ambient Temperature Ranges:**

AC: 32°F to 125°F (0°C to 52°C)  
 DC: 32°F to 104°F (0°C to 40°C)

*Refer to Engineering Section for details.*

**Solenoid Enclosures**

**Standard:** Watertight, Types 1, 2, 3, 3S, 4, and 4X.  
**Optional:** Explosionproof and Watertight, Types 3, 3S, 4, 4X, 6, 6P, 7, and 9. (To order, add prefix "EF" to the catalog number.)  
*See Optional Features Section for other available options.*

**Approvals:**

CSA certified. UL listed General Purpose Valves.  
 Meets applicable CE directives.  
*Refer to Engineering Section for details.*

Specifications (English units)

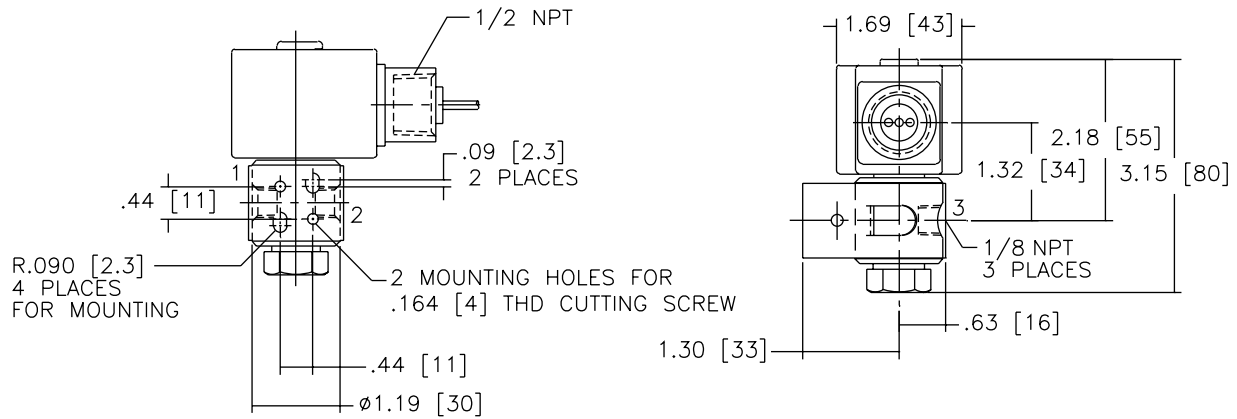
Pipe Size (ins.)	Orifice Size (ins.)	Cv Flow Factor	Operating Pressure Differential (psi)						Max. Fluid Temp. °F		Brass Body		Stainless Steel Body		Watt Rating/ Class of Coil Insulation ②	
			Max. AC			Max. DC			AC	DC	Catalog Number	Constr. Ref. No.	Catalog Number	Constr. Ref. No.	AC	DC
			Air-Inert Gas	Water	Lt. Oil @ 300 SSU	Air-Inert Gas	Water	Lt. Oil @ 300 SSU								
<b>UNIVERSAL OPERATION (Pressure at any port)</b>																
1/8	3/64	.06	175	175	175	125	125	125	140	120	8320G130 ①	1	8320G140 ①	1	9.1/F	10.6/F
1/8	1/16	.09	100	100	100	65	65	65	180	120	8320G1	1	8320G41	1	9.1/F	10.6/F
1/8	3/32	.12	50	50	50	50	50	50	180	120	8320G83	1	8320G87	1	6.1/F	10.6/F
1/8	1/8	.21	30	30	30	20	20	20	180	120	8320G3	1	8320G43	1	9.1/F	10.6/F
1/4	1/16	.09	125	130	130	75	75	75	200	150	8320G172	2	--	--	10.1/F	11.6/F
1/4	3/32	.12	100	100	100	60	60	60	200	150	8320G174	2	8320G200	3	17.1/F	11.6/F
1/4	1/8	.25	50	50	50	25	25	25	200	150	8320G176	2	8320G201	3	17.1/F	11.6/F
1/4	11/64	.35	20	20	20	12	12	12	200	150	8320G178	2	--	--	10.1/F	11.6/F
<b>NORMALLY CLOSED (Closed when de-energized)</b>																
1/8	3/64	.06	200	200	200	200	200	200	180	120	8320G132	1	8320G142	1	6.1/F	10.6/F
1/8	1/16	.09	150	125	125	125	125	125	180	120	8320G13	1	8320G45	1	6.1/F	10.6/F
1/8	3/32	.12	100	100	100	100	100	100	180	120	8320G15	1	8320G47	1	6.1/F	10.6/F
1/8	1/8	.21	40	40	40	40	40	40	180	120	8320G17	1	8320G49	1	6.1/F	10.6/F
1/4	1/16	.09	210	225	225	160	160	160	200	150	8320G182	2	--	--	17.1/F	11.6/F
1/4	3/32	.12	150	150	150	115	115	115	200	150	8320G184	2	8320G202	3	10.1/F	11.6/F
1/4	1/8	.25	85	85	85	60	60	60	200	150	8320G186	2	8320G203	3	10.1/F	11.6/F
1/4	11/64	.35	45	45	45	25	25	25	200	150	8320G188	2	--	--	10.1/F	11.6/F
<b>NORMALLY OPEN (Open when de-energized)</b>																
1/8	3/64	.06	200	200	200	200	200	200	180	120	8320G136	1	8320G146	1	6.1/F	10.6/F
1/8	1/16	.09	150	125	125	125	125	125	180	120	8320G27	1	8320G51	1	6.1/F	10.6/F
1/8	3/32	.12	100	100	100	100	100	100	180	120	8320G29	1	8320G53	1	6.1/F	10.6/F
1/8	1/8	.21	40	40	40	40	40	40	180	120	8320G31	1	8320G55	1	6.1/F	10.6/F
1/4	1/16	.09	250	250	250	160	160	160	200	150	8320G192	2	--	--	17.1/F	11.6/F
1/4	3/32	.12	150	140	140	100	100	100	200	150	8320G194	2	8320G204	3	10.1/F	11.6/F
1/4	1/8	.25	70	70	70	55	55	55	200	150	8320G196	2	8320G205	3	10.1/F	11.6/F
1/4	11/64	.35	40	40	40	30	30	30	200	150	8320G198	2	--	--	10.1/F	11.6/F
<b>Notes:</b> ① Supplied with cast UR disc. ② On 50 hertz service, the watt rating for the 6.1/F solenoid is 8.1 watts; the watt rating for the 9.1/F solenoid is 11.1 watts.																

Specifications (Metric units)

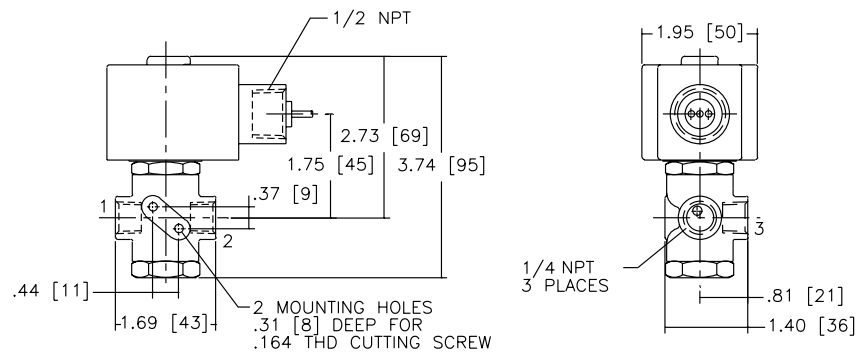
Pipe Size (ins.)	Orifice Size (mm)	Kv Flow Factor (m3/h)	Operating Pressure Differential (bar)						Max. Fluid Temp. °C		Brass Body		Stainless Steel Body		Watt Rating/ Class of Coil Insulation ②	
			Max. AC			Max. DC			AC	DC	Catalog Number	Constr. Ref. No.	Catalog Number	Constr. Ref. No.	AC	DC
			Air-Inert Gas	Water	Lt. Oil @ 300 SSU	Air-Inert Gas	Water	Lt. Oil @ 300 SSU								
<b>UNIVERSAL OPERATION (Pressure at any port)</b>																
1/8	1.2	.05	12	12	12	9	9	9	59	48.4	8320G130 ①	1	8320G140 ①	1	9.1/F	10.6/F
1/8	1.6	.08	7	7	7	4	4	4	81	48.4	8320G1	1	8320G41	1	9.1/F	10.6/F
1/8	2.4	.10	3	3	3	3	3	3	81	48.4	8320G83	1	8320G87	1	6.1/F	10.6/F
1/8	3.2	.18	2	2	2	1	1	1	81	48.4	8320G3	1	8320G43	1	9.1/F	10.6/F
1/4	1.6	.08	9	9	9	5	5	5	92	64.9	8320G172	2	--	--	10.1/F	11.6/F
1/4	2.4	.10	7	7	7	4	4	4	92	64.9	8320G174	2	8320G200	3	17.1/F	11.6/F
1/4	3.2	.21	3	3	3	2	2	2	92	64.9	8320G176	2	8320G201	3	17.1/F	11.6/F
1/4	4.4	.30	1	1	1	1	1	1	92	64.9	8320G178	2	--	--	10.1/F	11.6/F
<b>NORMALLY CLOSED (Closed when de-energized)</b>																
1/8	1.2	.05	14	14	14	14	14	14	81	48.4	8320G132	1	8320G142	1	6.1/F	10.6/F
1/8	1.6	.08	10	9	9	9	9	9	81	48.4	8320G13	1	8320G45	1	6.1/F	10.6/F
1/8	2.4	.10	7	7	7	7	7	7	81	48.4	8320G15	1	8320G47	1	6.1/F	10.6/F
1/8	3.2	.18	3	3	3	3	3	3	81	48.4	8320G17	1	8320G49	1	6.1/F	10.6/F
1/4	1.6	.08	14	16	16	11	11	11	92	64.9	8320G182	2	--	--	17.1/F	11.6/F
1/4	2.4	.10	10	10	10	8	8	8	92	64.9	8320G184	2	8320G202	3	10.1/F	11.6/F
1/4	3.2	.21	6	6	6	4	4	4	92	64.9	8320G186	2	8320G203	3	10.1/F	11.6/F
1/4	4.4	.30	3	3	3	2	2	2	92	64.9	8320G188	2	--	--	10.1/F	11.6/F
<b>NORMALLY OPEN (Open when de-energized)</b>																
1/8	1.2	.05	14	14	14	14	14	14	81	48	8320G136	1	8320G146	1	6.1/F	10.6/F
1/8	1.6	.08	10	9	9	9	9	9	81	48	8320G27	1	8320G51	1	6.1/F	10.6/F
1/8	2.4	.01	7	7	7	7	7	7	81	48	8320G29	1	8320G53	1	6.1/F	10.6/F
1/8	3.2	.18	3	3	3	3	3	3	81	48	8320G31	1	8320G55	1	6.1/F	10.6/F
1/4	1.6	.08	17	17	17	11	11	11	92	65	8320G192	2	--	--	17.1/F	11.6/F
1/4	2.4	.10	10	10	10	7	7	7	92	65	8320G194	2	8320G204	3	10.1/F	11.6/F
1/4	3.2	.21	5	5	5	4	4	4	92	65	8320G196	2	8320G205	3	10.1/F	11.6/F
1/4	4.4	.30	3	3	3	2	2	2	92	65	8320G198	2	--	--	10.1/F	11.6/F
<b>Notes:</b> ① Supplied with cast UR disc. ② On 50 hertz service, the watt rating for the 6.1/F solenoid is 8.1 watts; the watt rating for the 9.1/F solenoid is 11.1 watts.																

Dimensions: inches (mm)

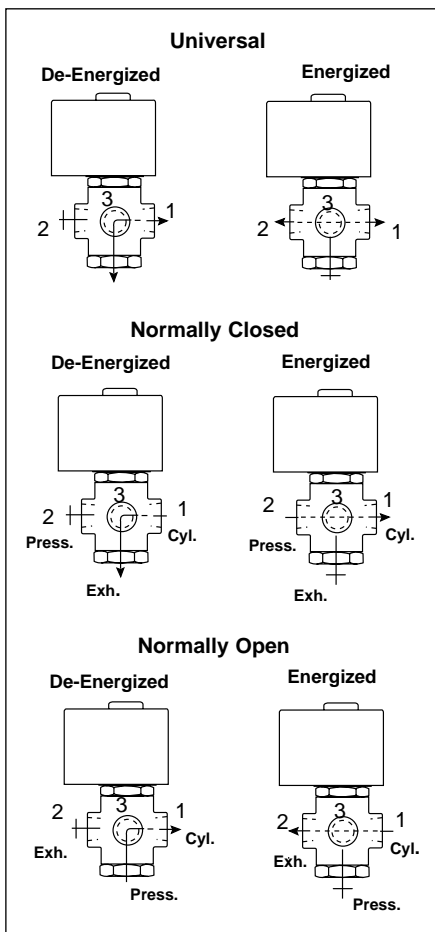
Constr. Ref. 1



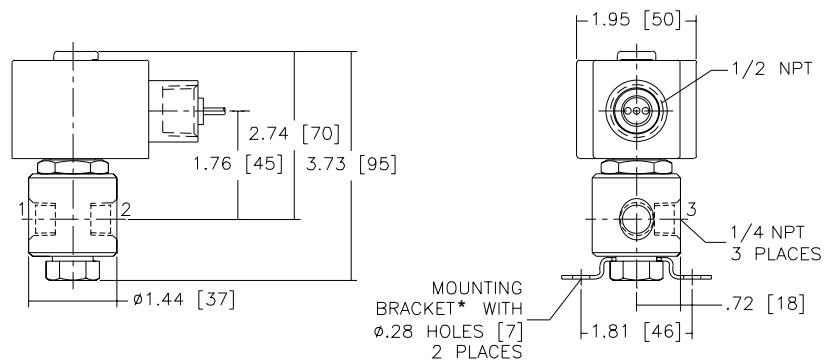
Constr. Ref. 2



FLOW DIAGRAMS



Constr. Ref. 3



\* MOUNTING BRACKET IS STANDARD ON THIS CONSTRUCTION