

SV321 & SV421 Series

2-Way Pilot Operated

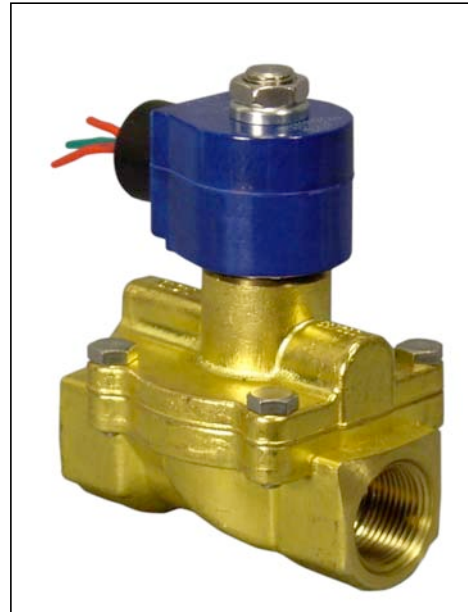
Diaphragm Solenoid Valves

SV321 • Normally Closed

SV421 • Normally Open

These 2-way general-purpose solenoid valves are piloted diaphragm construction and are available in normally closed and normally open operating modes. They are available in a variety of pipe connections from 3/8" to 2" NPT and are available with an extensive range of options. This series is widely used in various industrial applications. For special applications, contact your Valcor customer service representative.

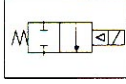
Specifications



Valve Selection Sheet

Pipe Size (in.) NPT	Orifice (in.)	Cv	Operating Pressure Differential										Fluid Temp. °F Max.	Housing	Power Consumption (W)		Coil Insulation	Voltage 60 HZ	Model Code	
			Max. PSI												AC	DC			Brass	Stainless Steel
			Air/Gas		Water		Lt. Oil		Steam											
			AC	DC	AC	DC	AC	DC	AC	DC										

Normally Closed



De-energized

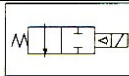


Energized



3/8	1/2	3.3	1	250	150	250	150	250	150	-	-	230	G	8	9	F	120	SV321GF02K4CG1	----
	1/2	3.3	1	-	-	-	-	-	-	100	100	338	G	8	9	H	120	SV321GH02T4CG1	----
	1/2	3.3	10	-	-	-	-	-	-	150	150	386	G	8	9	H	120	SV321GH02T2CG1	----
1/2	5/8	3.3	4	200	150	150	100	150	100	-	-	180	G	8	9	F	120	SV321GF02N5CG4	SV321GF02L7CG4
	1/2	3.3	1	250	150	250	150	250	150	-	-	230	G	8	9	F	120	SV321GF02K4DG1	----
	1/2	3.3	1	-	-	-	-	-	-	100	100	338	G	8	9	H	120	SV321GH02T4DG1	----
3/4	1 1/2	3.8	10	-	-	-	-	-	-	150	150	388	G	8	9	H	120	SV321GH02T2DG1	----
	5/8	4.1	4	200	150	150	100	150	100	-	-	180	G	8	9	F	120	SV321GF02N5DG4	SV321GF02L7DG4
	3/4	8.1	1	250	150	250	150	250	150	-	-	230	G	8	9	F	120	SV321GF02K4EG5	----
1	3/4	6.1	-	-	-	-	-	-	-	100	100	338	G	8	9	H	120	SV321GH02T4EG5	----
	3/4	7	10	-	-	-	-	-	-	150	150	386	G	8	9	H	120	SV321GH02T2EG5	----
	3/4	5.5	4	200	150	150	100	150	100	-	-	180	G	8	9	F	120	SV321GF02N5EG5	SV321GF02L7EG5
1 1/4	1	13	10	250	150	250	150	250	150	-	-	200	G	8	9	F	120	SV321GF02N1FG9	----
	1	13	10	-	-	-	-	-	-	150	150	386	G	8	9	H	120	SV321GH02T2FG9	----
	1	13	5	200	150	150	100	100	-	-	180	G	8	9	F	120	SV321GF02N5FG9	SV321GF02L7FG9	
1 1/2	1	13	5	-	-	-	-	-	-	50	50	295	G	8	9	F	120	SV321GF02C5FG9	SV321GF02E7FG9
	1 1/2	22	10	250	150	250	150	250	150	-	-	200	G	8	9	F	120	SV321GF02N1GJ5	----
	1 1/2	22	10	-	-	-	-	-	-	150	150	386	G	8	9	H	120	SV321GH02T2GJ5	----
1 1/2	1 1/4	19	5	200	150	150	150	85	85	-	-	180	G	8	9	F	120	SV321GF02N5GJ2	SV321GF02L7GJ2
	1 1/4	19	5	-	-	-	-	-	-	50	50	295	G	8	9	F	120	SV321GF02C5GJ2	SV321GF02E7GJ2
	1 1/2	28	10	250	150	250	150	250	150	-	-	200	G	8	9	F	120	SV321GF02N1HJ5	----
2	1 1/2	28	10	-	-	-	-	-	-	150	150	388	G	8	9	H	120	SV321GH02T2HJ5	----
	1 1/4	25	5	200	150	150	150	85	85	-	-	180	G	8	9	F	120	SV321GF02N5HJ2	SV321GF02L7HJ2
	1 1/4	25	5	-	-	-	-	-	-	50	50	295	G	8	9	F	120	SV321GF02C5HJ2	SV321GF02E7HJ2
2	1 1/2	29	10	250	150	250	150	250	150	-	-	200	G	8	9	F	120	SV321GF02N1JJ5	----
	1 1/2	29	10	-	-	-	-	-	-	150	150	386	G	8	9	H	120	SV321GH02T2JJ5	----
	1 1/4	28	5	200	150	150	150	85	85	-	-	180	G	8	9	F	120	SV321GF02N5JJ2	SV321GF02L7JJ2
1 1/4	28	5	-	-	-	-	-	-	50	50	295	G	8	9	F	120	SV321GF02C5JJ2	SV321GF02E7JJ2	

Normally Open



De-energized

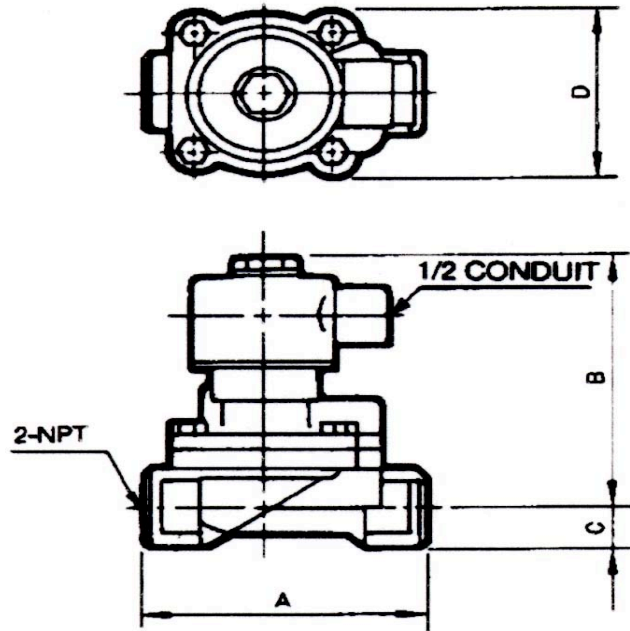


Energized



3/8	1/2	3.3	1	150	140	150	140	150	140	-	-	230	G	9	9	F	120	SV421GF02K4CG1	----
	1/2	3.3	1	-	-	-	-	-	-	100	100	338	G	9	9	H	120	SV421GH02T4CG1	----
	5/8	3.3	3	150	140	200	125	200	125	-	-	180	G	11	10	F	120	SV421GF02N5CG4	SV421GF02L7CG4
1/2	1/2	3.3	1	150	140	150	140	150	140	-	-	230	G	9	9	F	120	SV421GF02K4DG1	----
	1/2	3.3	1	-	-	-	-	-	-	100	100	338	G	9	9	H	120	SV421GH02T4DG1	----
	5/8	4.1	3	200	140	200	125	200	125	-	-	180	G	11	10	F	120	SV421GF02N5DG4	SV421GF02L7DG4
3/4	3/4	6.1	1	150	140	150	140	150	140	-	-	230	G	9	9	F	120	SV421GF02K4EG5	----
	3/4	8.1	1	-	-	-	-	-	-	100	100	338	G	9	9	H	120	SV421GH02T4EG5	----
	3/4	5.5	3	200	140	200	125	200	125	-	-	180	G	11	10	F	120	SV421GF02N5EG5	SV421GF02L7EG5
1	1	13	10	200	140	200	140	200	140	-	-	200	G	9	9	F	120	SV421GF02N1FG9	----
	1	13	10	-	-	-	-	-	-	100	100	338	G	9	9	H	120	SV421GH02T2FG9	----
	1	13	5	200	140	150	140	100	100	-	-	180	G	9	9	F	120	SV421GF02N5FG9	SV421GF02L7FG9
1 1/4	1	13	5	-	-	-	-	-	-	50	50	295	G	9	9	F	120	SV421GF02C5FG9	SV421GF02E7FG9
	1 1/2	22	10	200	140	200	140	200	140	-	-	200	G	9	9	F	120	SV421GF02N1GJ5	----
	1 1/2	22	10	-	-	-	-	-	-	100	100	338	G	9	9	H	120	SV421GH02T2GJ5	----
1 1/2	1 1/4	19	5	200	140	140	140	85	85	-	-	180	G	9	9	F	120	SV421GF02N5GJ2	SV421GF02L7GJ2
	1 1/4	19	5	-	-	-	-	-	-	50	50	295	G	9	9	F	120	SV421GF02C5GJ2	SV421GF02E7GJ2
	1 1/2	28	10	200	140	200	140	200	140	-	-	200	G	9	9	F	120	SV421GF02N1HJ5	----
2	1 1/2	28	10	-	-	-	-	-	-	100	100	338	G	9	9	H	120	SV421GH02T2HJ5	----
	1 1/4	25	5	200	140	140	140	85	85	-	-	180	G	9	9	F	120	SV421GF02N5HJ2	SV421GF02L7HJ2
	1 1/4	25	5	-	-	-	-	-	-	50	50	295	G	9	9	F	120	SV421GF02C5HJ2	SV421GF02E7HJ2
2	1 1/2	29	10	200	140	200	140	200	140	-	-	200	G	9	9	F	120	SV421GF02N1JJ5	----
	1 1/2	29	10	-	-	-	-	-	-	100	100	338	G	9	9	H	120	SV421GH02T2JJ5	----
	1 1/4	28	5	200	140	140	140	85	85	-	-	180	G	9	9	F	120	SV421GF02N5JJ2	SV421GF02L7JJ2
1 1/4	28	5	-	-	-	-	-	-	50	50	295	G	9	9	F	120	SV421GF02C5JJ2	SV421GF02E7JJ2	

External Dimensions



Body Code	Pipe Connection (NPT)	A	B		C	D	Weight (LB)
			Normally Closed	Normally Open			
1, 2, 4	3/8 • 1/2	3.19	3.66	3.82	0.56	2.18	2.5
	3/4	3.82	3.92	4.08	0.69	3.82	3.3
	1	5.38	4.09	4.25	0.81	4.69	6.4
	1 1/4 • 1 1/2	6.25	4.54	4.71	1.19	5.32	10.5
	2		4.92	5.09	1.57		13.5
5, 7	3/8 • 1/2	2.76	3.03	3.78	0.55	2.2	1.8
	3/4		3.15	3.9	0.63		
	1	3.62	3.98	4.29	0.79	3.23	3.8
	1 1/4 • 1 1/2	4.33	4.33	4.65	1.06	3.62	5.8
	2	5.51	4.45	4.76	1.5		8.9

units:inch